

# SECTION C

## RADIATOR and GRILLE 49000 SERIES

### CONTENTS

| Division | Subject  | Paragraph |
|----------|--|-----------|
| I        | TROUBLE DIAGNOSIS: (Not Applicable)                      | -         |
| II       | DESCRIPTION AND OPERATION: (Not Applicable)              | -         |
| III      | ADJUSTMENTS AND MINOR SERVICE: (Not Applicable)          | -         |
| IV       | REMOVAL AND INSTALLATION:<br>Radiator Mounting . . . . . | 130-3     |
| V        | OVERHAUL AND MAJOR SERVICE: (Not Applicable)             | -         |
| VI       | SPECIFICATIONS: (Not Applicable)                         | -         |

### DIVISION IV REMOVAL AND INSTALLATION

#### 130-3 RADIATOR MOUNTING

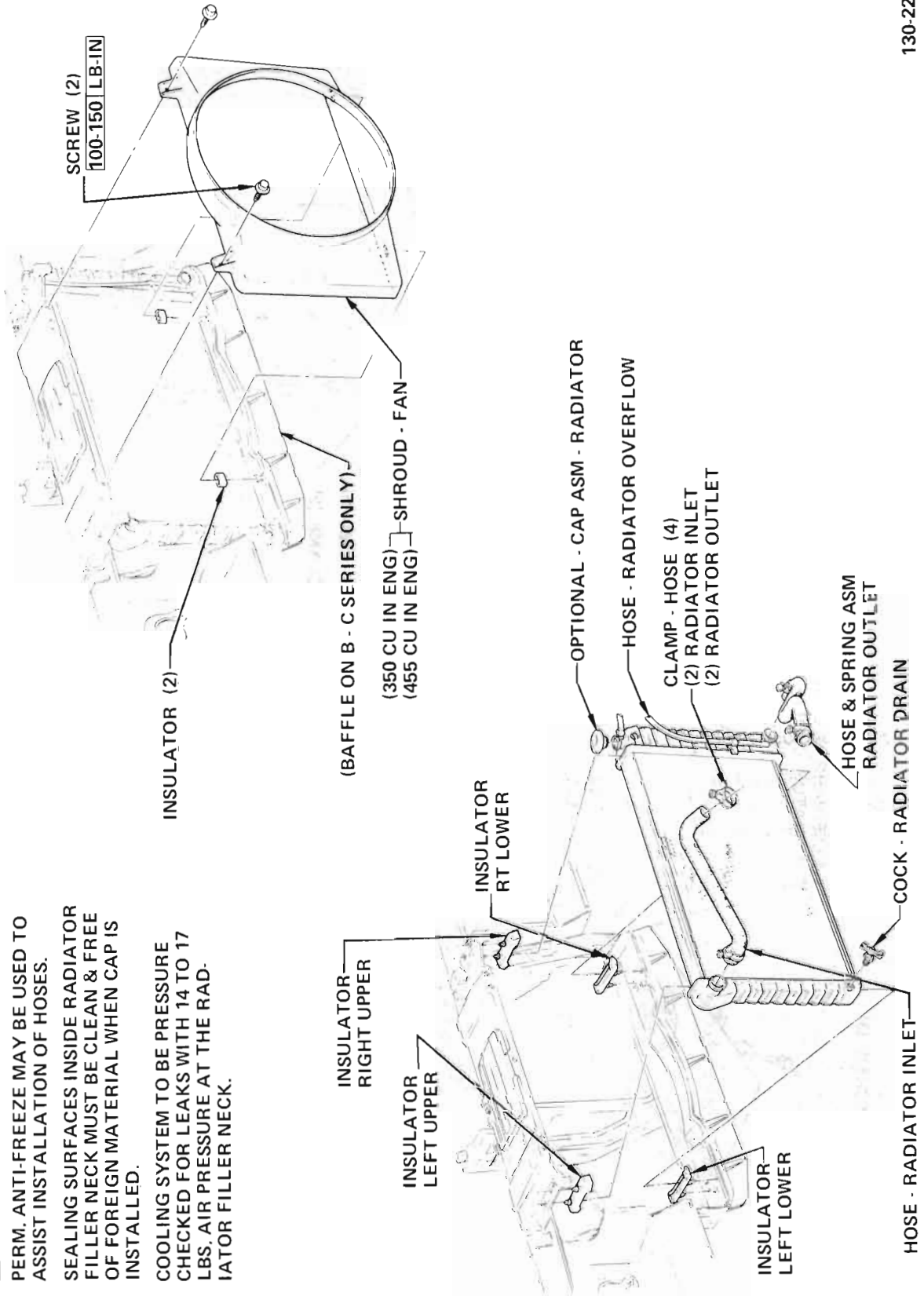
The radiator mounting is a four-point system using rubber inserts on "U" shaped brackets (for the lower mounting). The upper brackets are part of the upper radiator mounting panel. The lower brackets mount on the lower portion of the radiator mounting panel.

#### INDEX OF ILLUSTRATIONS

| Figure Number    | Description  |
|------------------|--|
| 130-9 . . . . .  | 49000 Radiator, Fan Shroud                                     |
| 130-10 . . . . . | 49000 Overflow Reservoir, and Tubes                            |
| 130-11 . . . . . | 49000 Radiator Support and Upper Mounting Panel                |
| 130-12 . . . . . | 49000 Headlamp Door, Capsule, Aiming Screw, and Brace Assembly |
| 130-13 . . . . . | 49000 Hood Latch, Grille, and Supports                         |

1 HEAVY DUTY COOLING PERM. ANTI-FREEZE MAY BE USED TO ASSIST INSTALLATION OF HOSES. SEALING SURFACES INSIDE RADIATOR FILLER NECK MUST BE CLEAN & FREE OF FOREIGN MATERIAL WHEN CAP IS INSTALLED.

COOLING SYSTEM TO BE PRESSURE CHECKED FOR LEAKS WITH 14 TO 17 LBS. AIR PRESSURE AT THE RADIATOR FILLER NECK.



130-22A

Figure 130-9 - 49000 Radiator, Fan Shroud

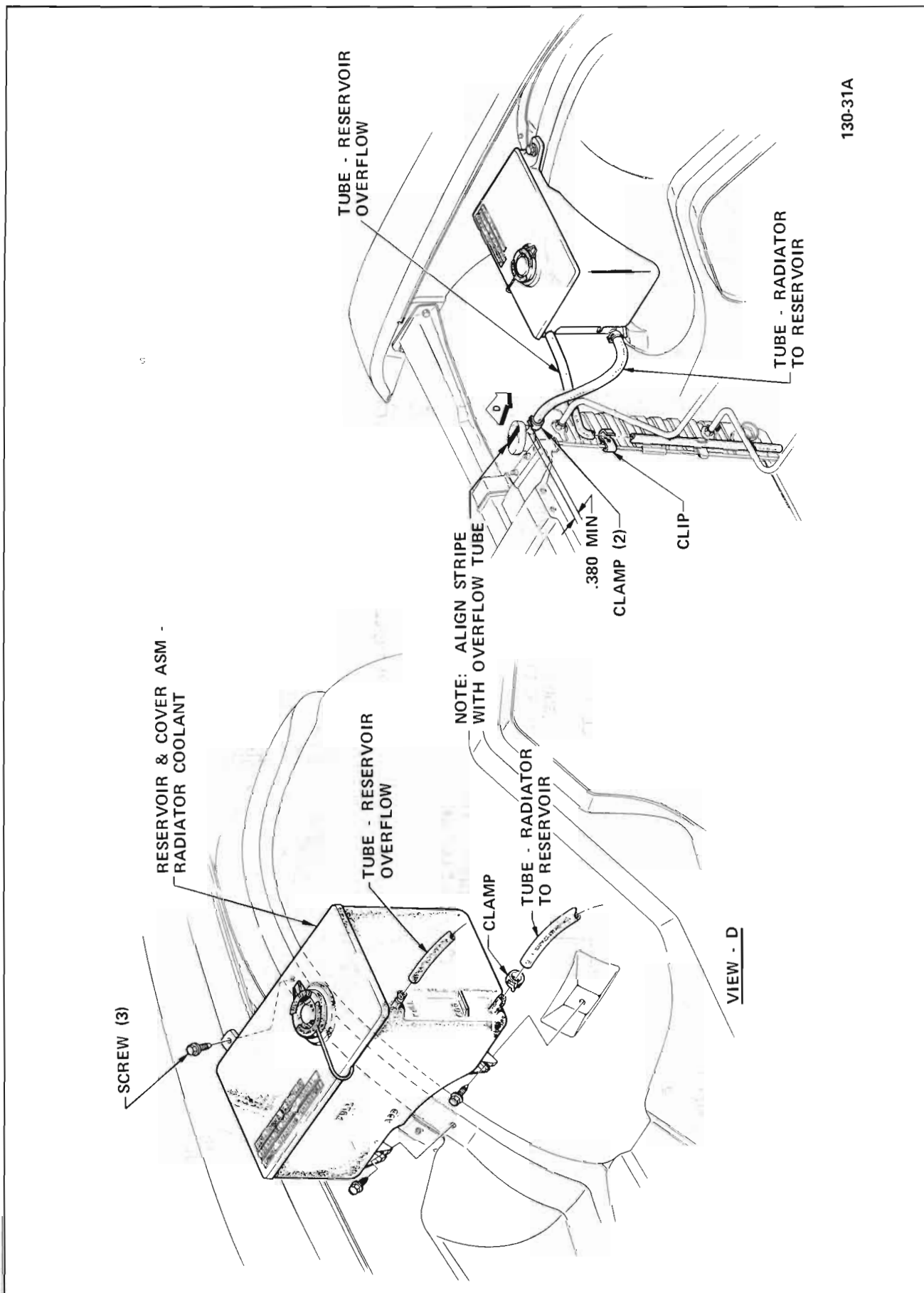
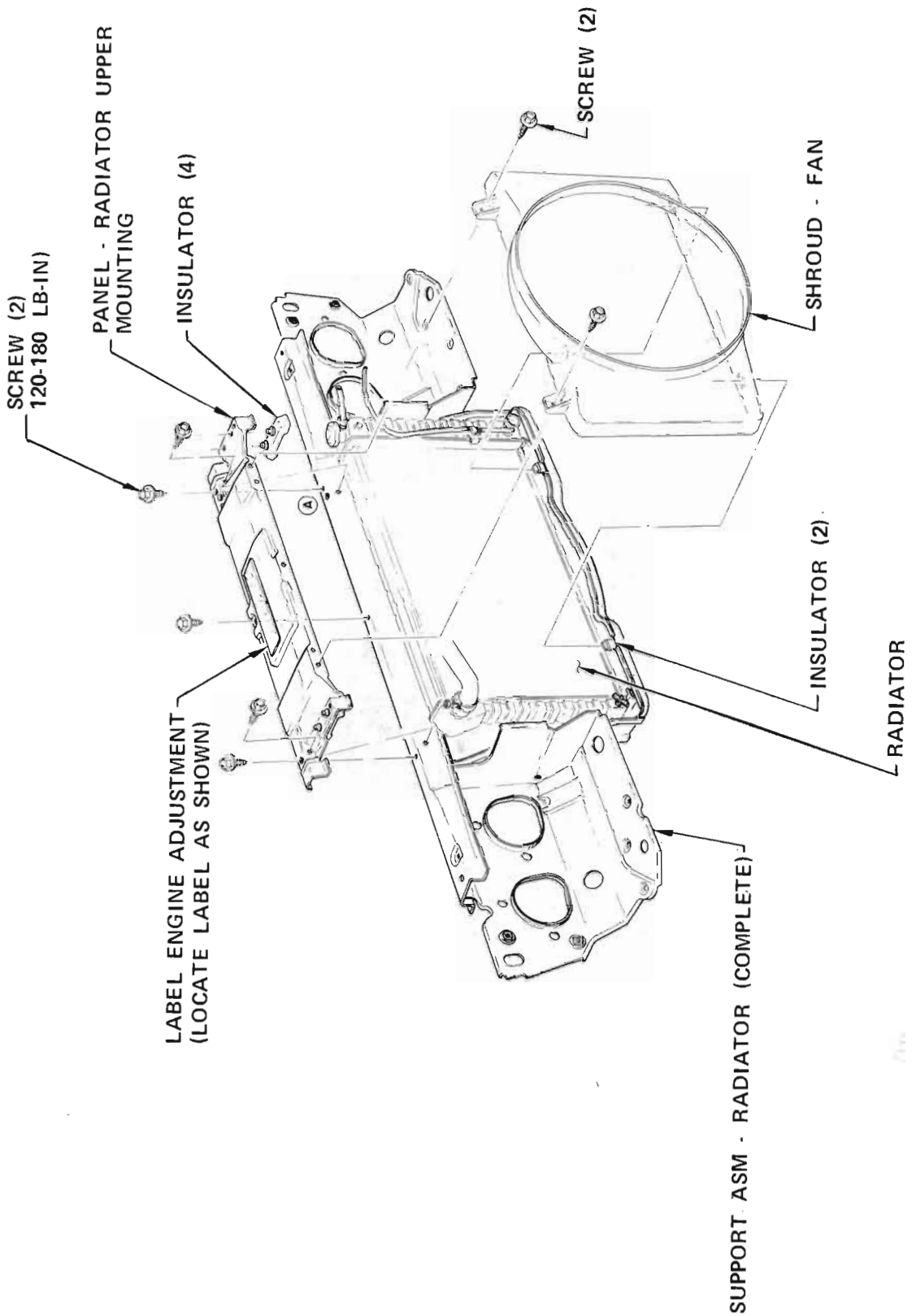


Figure 130-10 - 49000 Overflow Reservoir and Tubes



130-50

Figure 130-11 - 49000 Radiator Support and Upper Mounting Panel

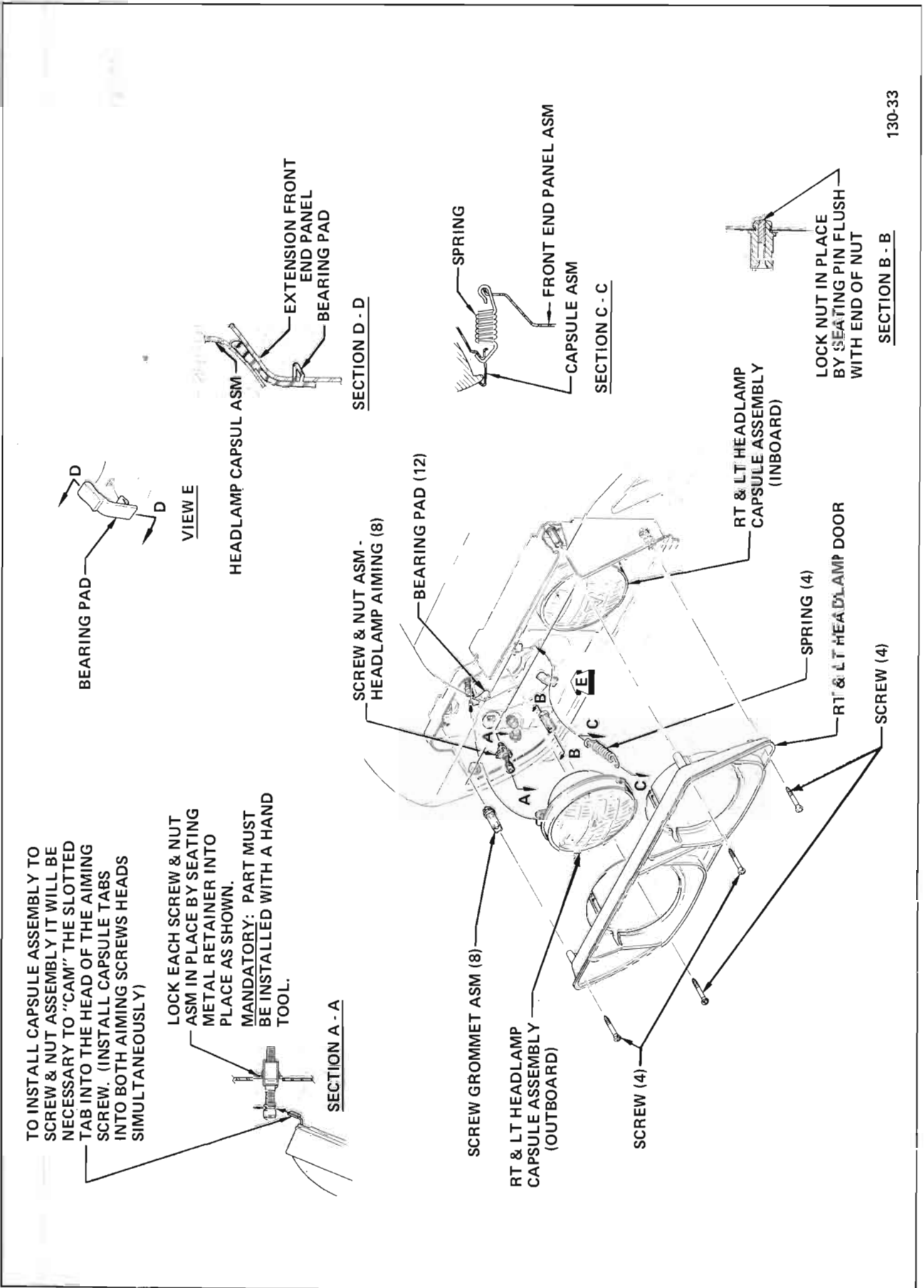


Figure 130-12 - 49000 Headlamp Door, Capsule, Aiming Screw, and Brace Assembly

