

SECTION A

BUMPERS 43-44000 SERIES

CONTENTS

Division	Subject	Paragraph
I	TROUBLE DIAGNOSIS: (Not Applicable)	-
II	DESCRIPTION AND OPERATION: (Not Applicable)	-
III	ADJUSTMENTS AND MINOR SERVICE: Adjustment of Front and Rear Bumper	140-1
IV	REMOVAL AND INSTALLATION: Refer to Illustrations	-
V	OVERHAUL AND MAJOR SERVICE: (Not Applicable)	-
VI	SPECIFICATIONS: (Not Applicable)	-

DIVISION III ADJUSTMENTS AND MINOR SERVICE

140-1 ADJUSTMENT OF FRONT AND REAR BUMPER

The front bumper brackets and supports are slotted to allow alignment to adjacent parts. The rear bumper brackets and braces are also slotted to permit alignment.

INDEX OF ILLUSTRATIONS

Figure Number	Description
140-1	43-44000 Front Bumper
140-2	43-44000 Rear Bumper (Less Wagons)
140-3	43-44000 Rear Bumper (Less Wagons)
140-4	43-44000 Rear Bumper (Wagon)
140-5	43-44000 Rear Bumper, Bumper Plate to Frame (Wagon)

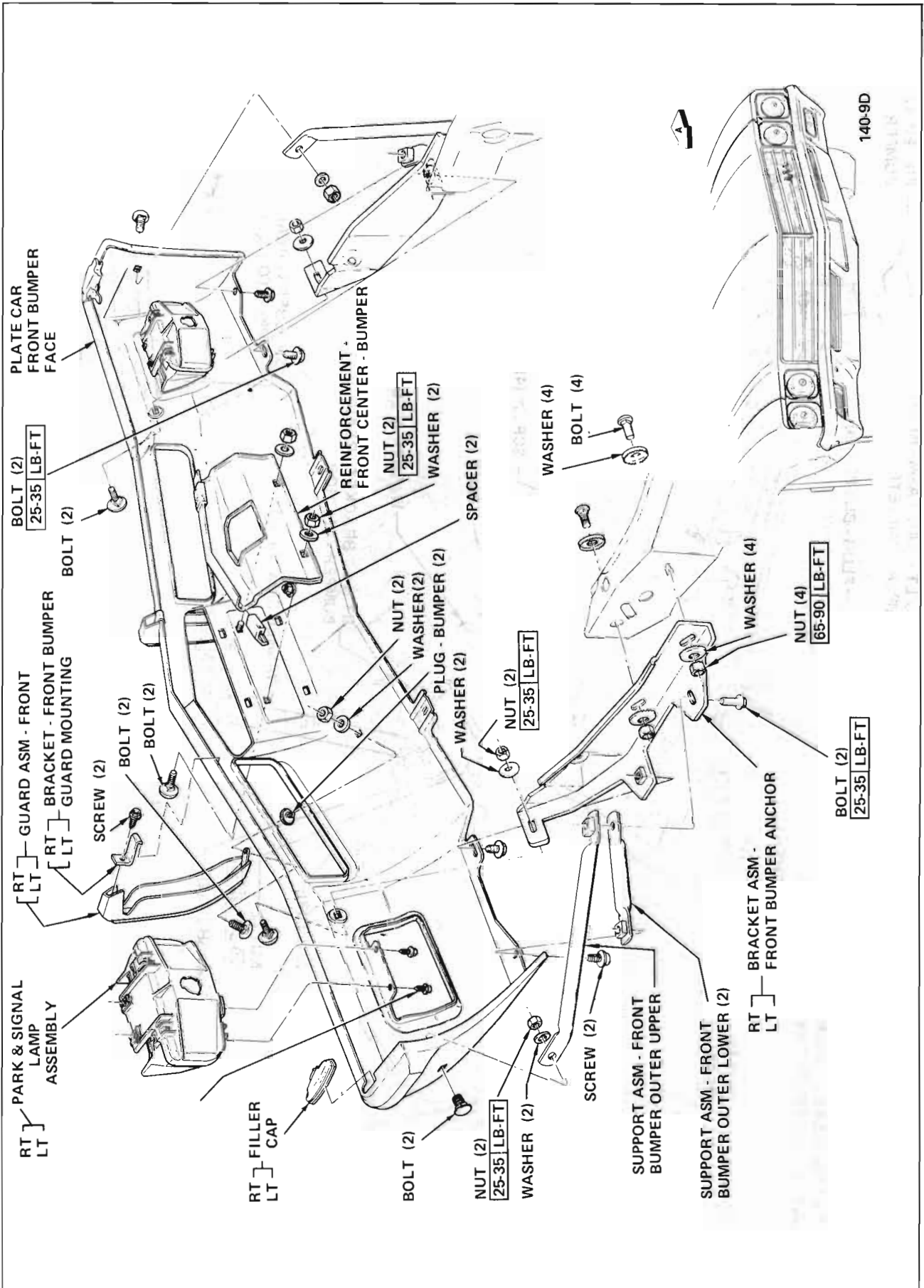
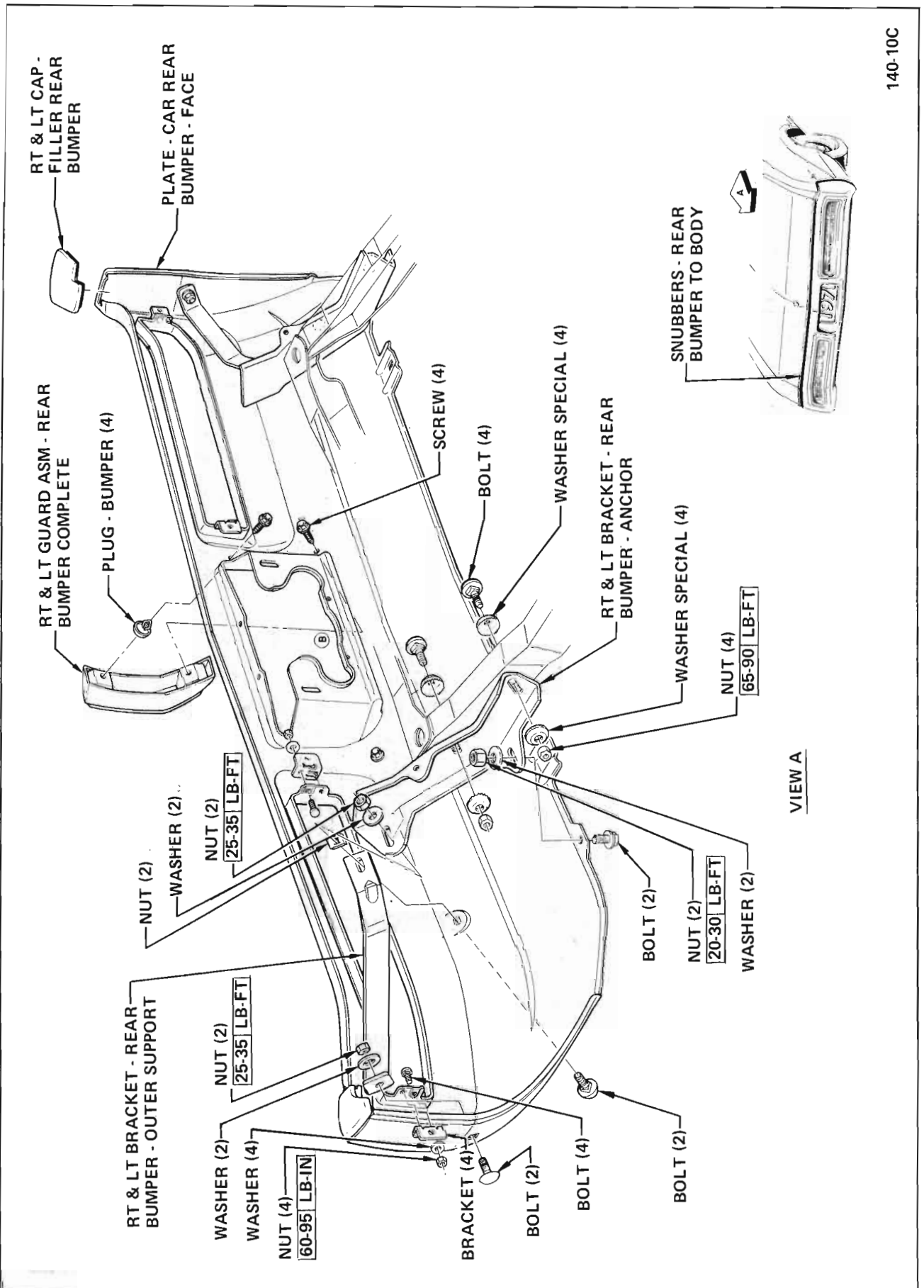
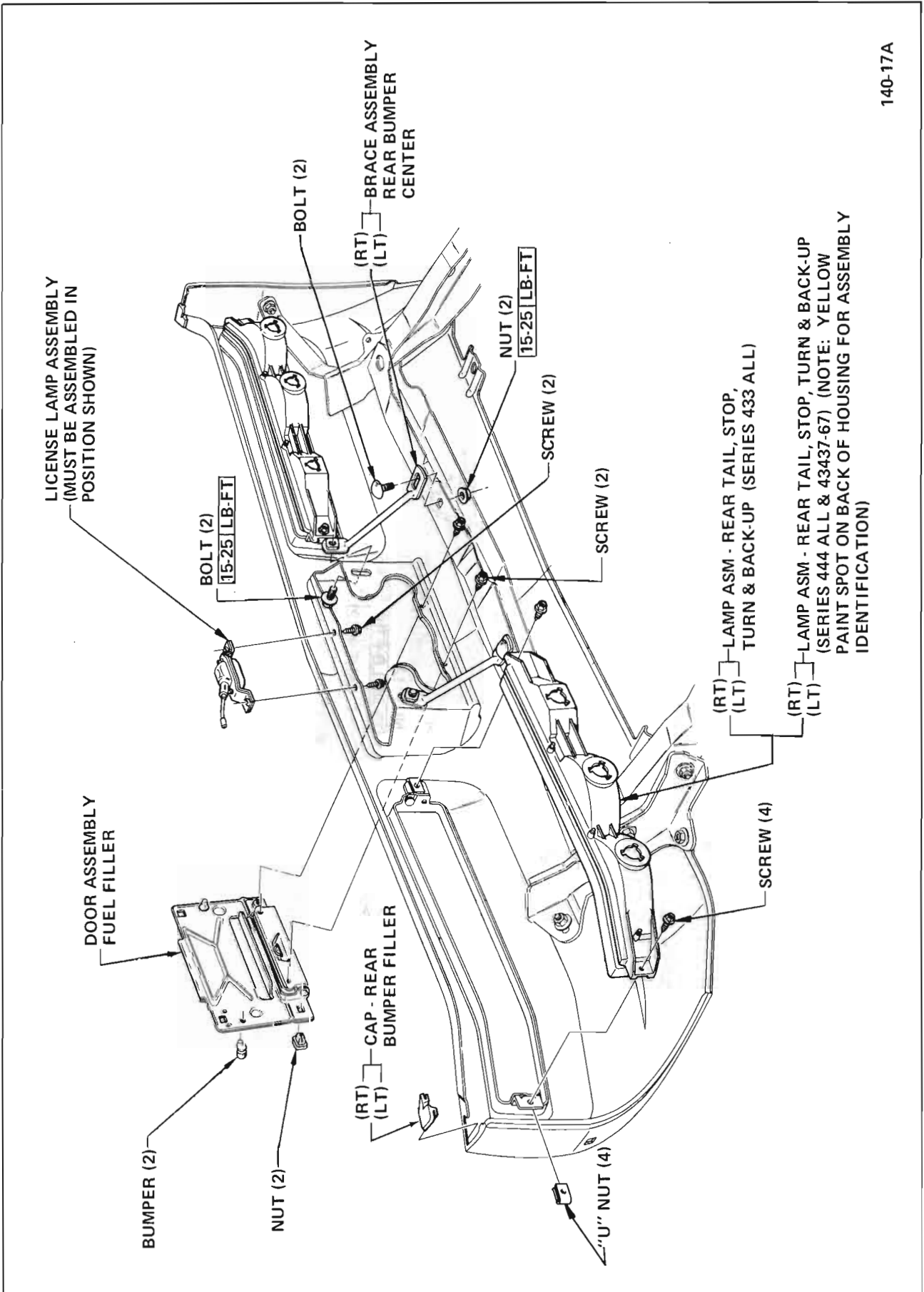


Figure 140-1 - 43-44000 Front Bumper



140-10C

Figure 140-2 - 43-44000 Rear Bumper (Less Wagons)



140-17A

Figure 140-3 - 43-44000 Rear Bumper (Less Wagons)

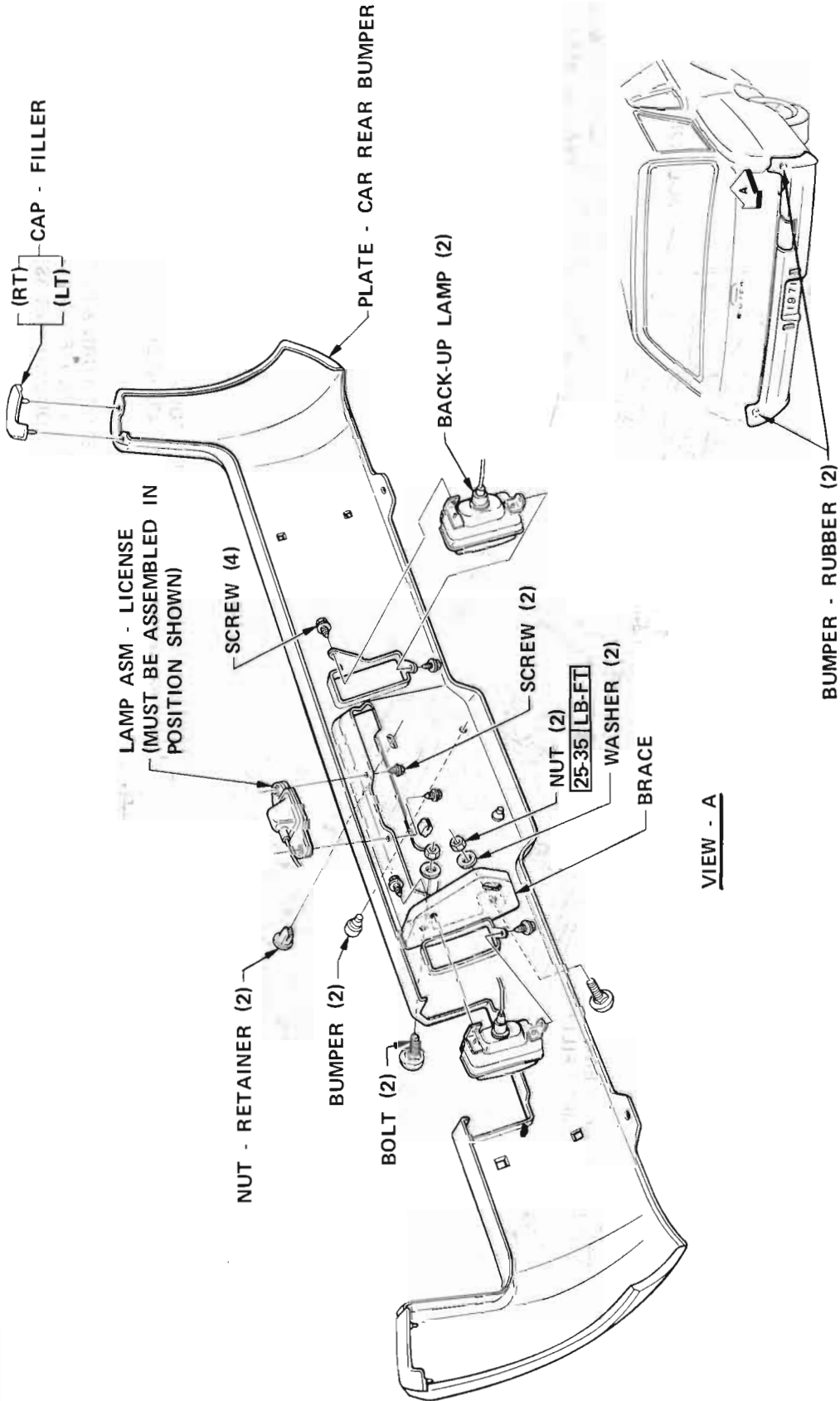


Figure 140-4 - 43-44000 Rear Bumper (Wagon)

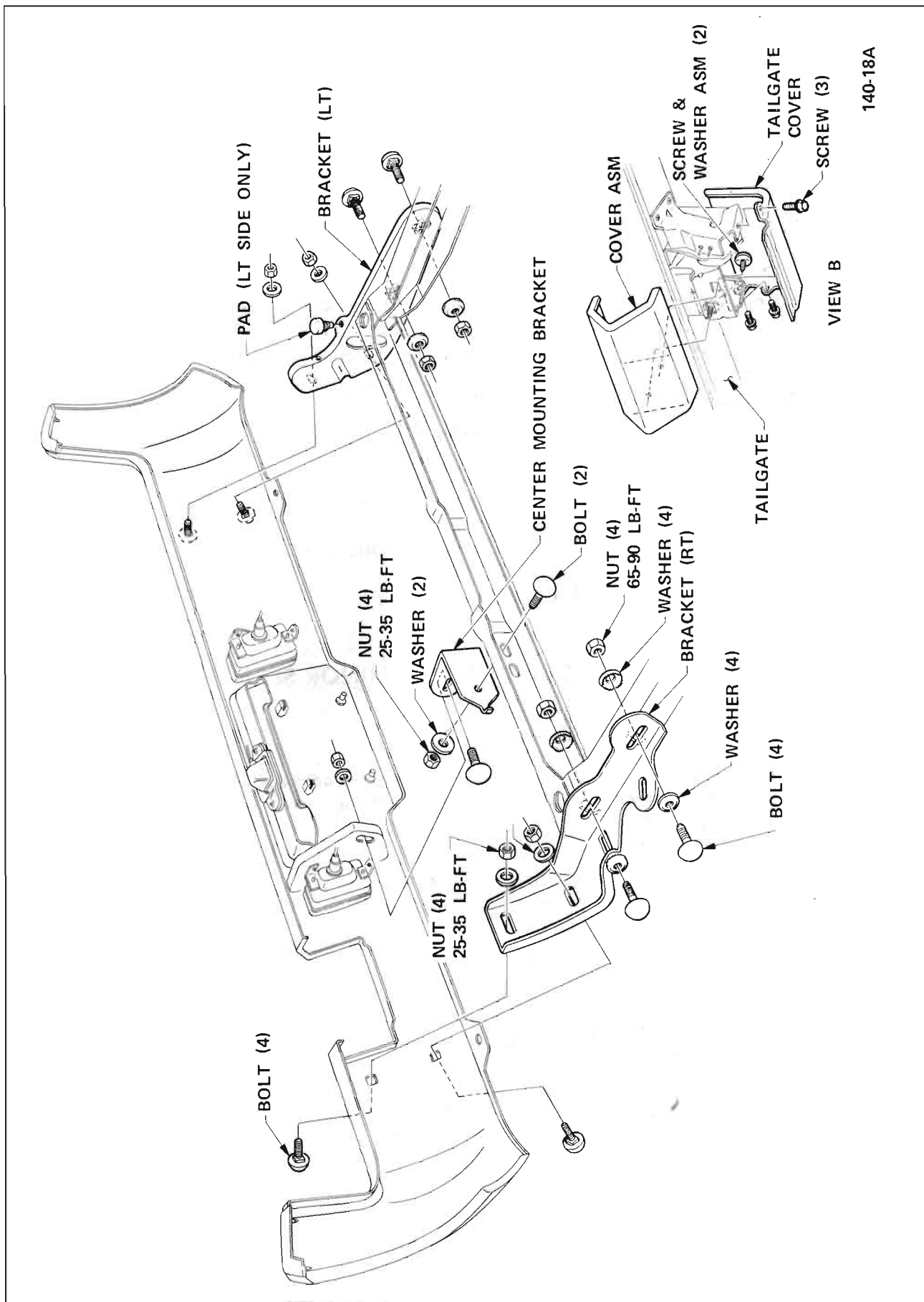


Figure 140-5 - 43-44000 Rear Bumper, Bumper Plate to Frame (Wagon)