

SECTION B

BUMPERS

45-46-48000 SERIES

CONTENTS

| Division | Subject | Paragraph |
|----------|---|-----------|
| I | TROUBLE DIAGNOSIS: (Not Applicable) | - |
| II | DESCRIPTION AND OPERATION: (Not Applicable) | - |
| III | ADJUSTMENTS AND MINOR SERVICE: Adjustment of Front and Rear Bumper | 140-2 |
| IV | REMOVAL AND INSTALLATION: Refer to Illustrations | - |
| V | OVERHAUL AND MAJOR SERVICE: (Not Applicable) | - |
| VI | SPECIFICATIONS: (Not Applicable) | - |

DIVISION III ADJUSTMENTS AND MINOR SERVICE

140-2 ADJUSTMENT OF FRONT AND REAR BUMPER

The front bumper brackets and supports are slotted to allow alignment to adjacent parts. The rear bumper brackets and braces are also slotted to permit alignment.

INDEX OF ILLUSTRATIONS

| Figure Number | Description |
|------------------|--|
| 140-6 | 45-46-48000 Front Bumper |
| 140-7 | 45-46-48000 Front Bumper, Grille Assembly and Guard Assembly |
| 140-8 | 45-46000 Rear Bumper |
| 140-9 | 45-46000 Rear Bumper |
| 140-10 | 48000 Rear Bumper |
| 140-11 | 46000 Rear Bumper (Wagon) |

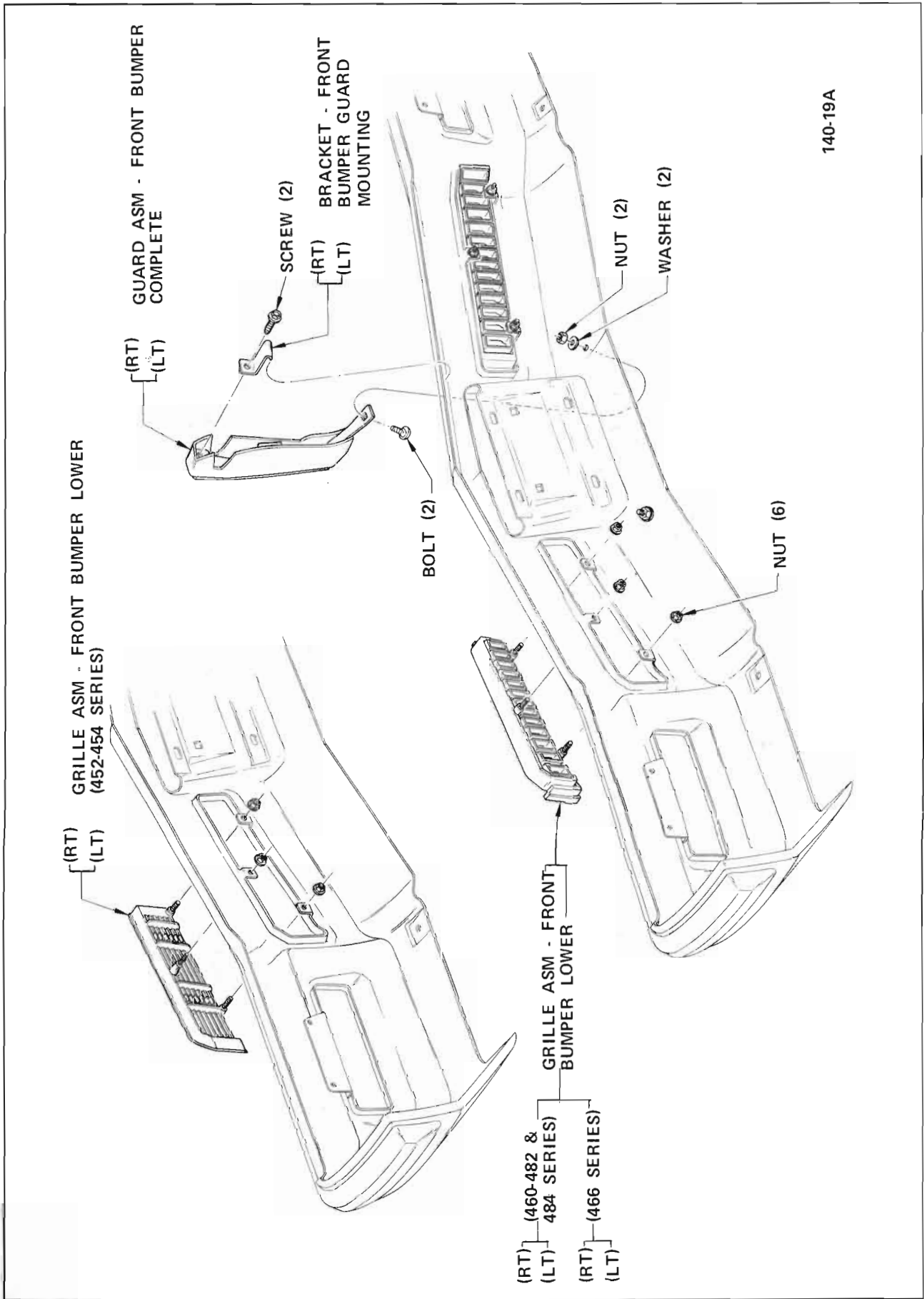


Figure 140-7 - 45-46-48000 Front Bumper, Grille Assembly, and Guard Assembly

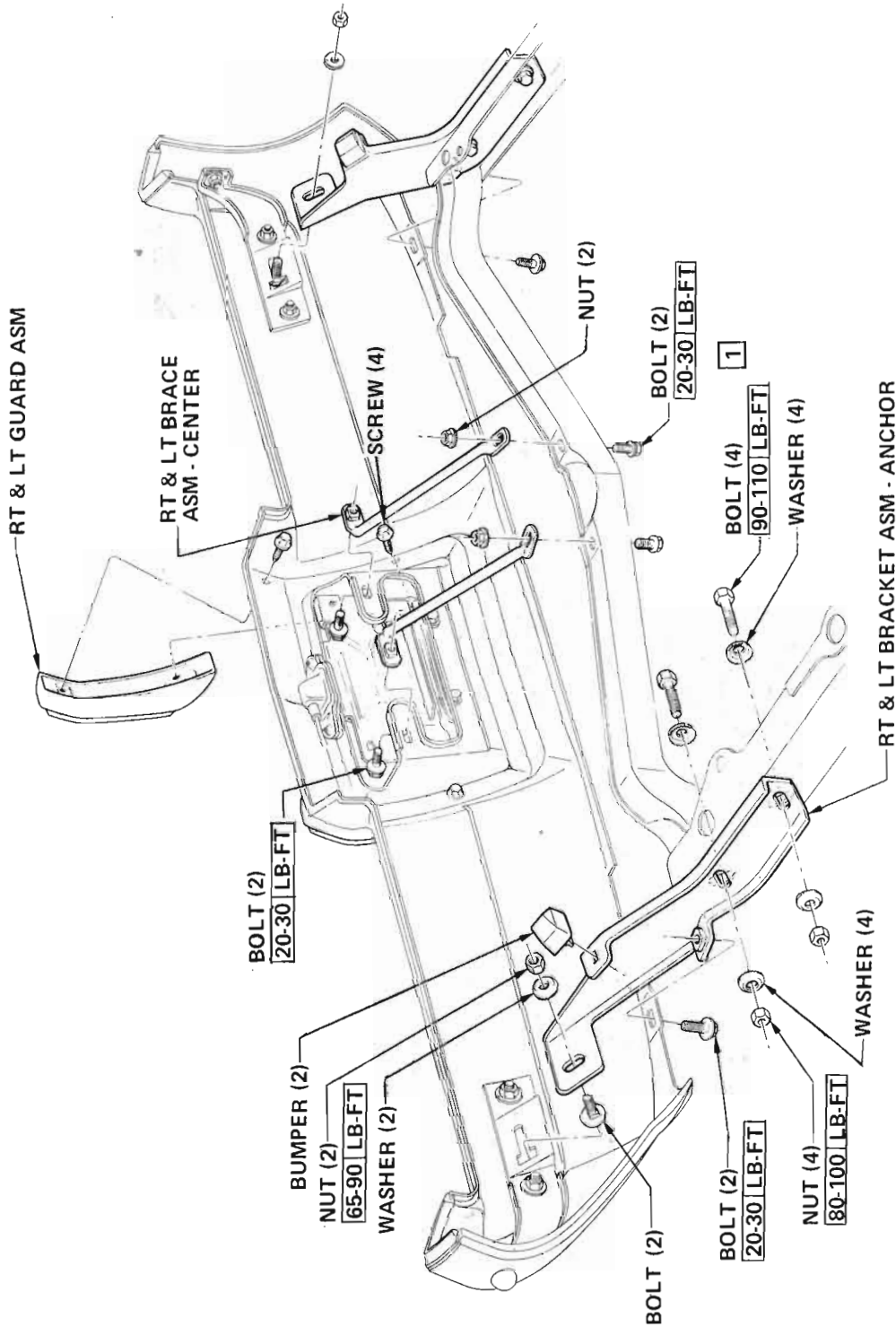


Figure 140-9 - 45-46000 Rear Bumper

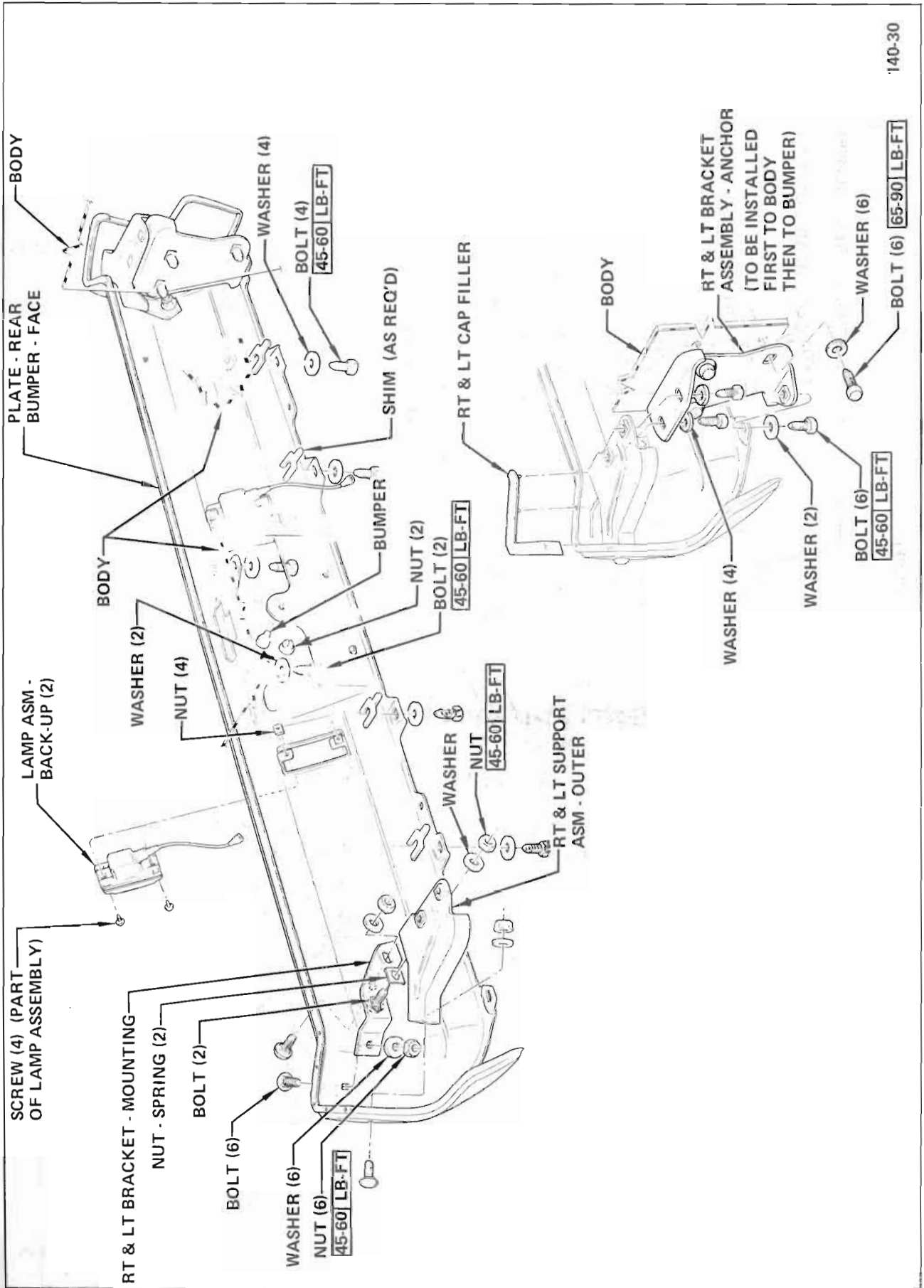


Figure 140-11 - 46000 Rear Bumper (Wagon)