

SECTION A

Starting System All Series

CONTENTS

Division	Subject	Paragraph
I	TROUBLE DIAGNOSIS:	
	• Trouble Shooting Starting System	68-1
	Periodic Inspection of Starter	68-2
	Voltage Test of Starting System and Solenoid Switch	68-3
	Amperage Test of Solenoid	68-4
	Pinion Clearance Check	68-5
	Bench Test of Starting Motor	68-6
II	DESCRIPTION AND OPERATION:	
	Description of Starting System	68-7
	Operation of Starting System	68-8
	Starting Motor and Solenoid Switch	68-9
III	ADJUSTMENTS AND MINOR SERVICE: (Not Applicable)	-
IV	REMOVAL AND INSTALLATION:	
	Starter Removal and Installation	68-10
V	OVERHAUL AND MAJOR SERVICE:	
	Starting Motor Repairs - On Bench	68-11
VI	SPECIFICATIONS:	
	Starting System Specifications	68-12

DIVISION I

TROUBLE DIAGNOSIS

68-1 TROUBLE-SHOOTING STARTING SYSTEM

a. Refer to Rear of Section for Starting Motor Trouble Chart

b. No Cranking Action

1. Make sure that control lever is in neutral (N) or park (P) position or that clutch pedal is depressed on manual transmission.
2. Make quick check of battery and cables. If battery is low, the solenoid usually will produce a clattering noise, because a nearly discharged battery will not sustain the voltage required to hold solenoid plunger in after solenoid switch has been closed.
3. If cranking motor spins and drive pinion engages ring gear but does not drive it, overrunning clutch is slipping. Remove motor to replace drive assembly.
4. If cranking motor does not operate, note whether solenoid plunger is pulled into solenoid when solenoid circuit is closed. Ordinarily the plunger makes a loud click when it is pulled in. If plunger is pulled in, solenoid circuit is okay and trouble is in solenoid switch, cranking motor, or cranking motor circuit. The cranking motor must be removed for repairs to switch or motor (par. 68-11).
5. If plunger does not pull into solenoid when ignition switch is turned to "START", the solenoid circuit is open, or solenoid is at fault.

6. To find reason why plunger does not pull into solenoid, connect jumper between solenoid battery terminal and terminal on solenoid switch to which purple wire is connected. If cranking motor operates, solenoid is okay; trouble is in ignition switch, neutral start switch, or in wires and connections between these units.

7. If cranking motor still does not operate, remove motor for inspection and test of solenoid switch (paragraph 68-4).

c. Cranking Speed Abnormally Low

Abnormally low cranking speed may be caused by low battery or defective cables, defective solenoid switch, defective cranking motor, or an internal condition of engine.

1. Make quick check of battery. If low battery is indicated, test battery. If defective cables are indicated, test cables.
2. If battery and cables are okay, test cranking motor and solenoid switch (paragraph 68-3).

3. If cranking motor and solenoid switch test okay, the trouble is due to an internal condition of engine. This may be due to use of engine oil which is too heavy for prevailing temperatures.

68-2 PERIODIC INSPECTION OF STARTING MOTOR

No periodic lubrication of the cranking motor or solenoid is required. The cranking motor and brushes cannot be inspected without disassembling the unit, so no service is required on the cranking motor and solenoid between inspection periods.

Cranking motor action is indicative, to some extent, of the cranking motor condition. A cranking motor that responds readily and cranks the engine at normal speed when the control circuit is closed is usually in good condition.

Check motor and solenoid switch attaching bolts to make sure these units are solidly mounted. Inspect and manually check all wiring connections at solenoid switch, ignition switch, and neutral start switch. Make sure that all these connections in the cranking motor and control circuits are clean and tight. It is advisable to test the cranking circuit to make certain that excessive resistance does not exist. See paragraph 68-3.

68-3 VOLTAGE TEST OF STARTING SYSTEM AND SOLENOID SWITCH

The voltage across the cranking motor and switch while cranking the engine gives a good indication of any excessive resistance.

NOTE: Engine must be at normal operating temperature when test is made.

1. Inspect battery and cables to make certain that battery has ample capacity for cranking and ignition.
2. Connect jumper wire to distributor terminal of coil and to ground on engine, so that engine can be cranked without firing.
3. Connect voltmeter positive lead to the motor terminal on solenoid switch; connect voltmeter negative lead to ground. See Figure 68-1.

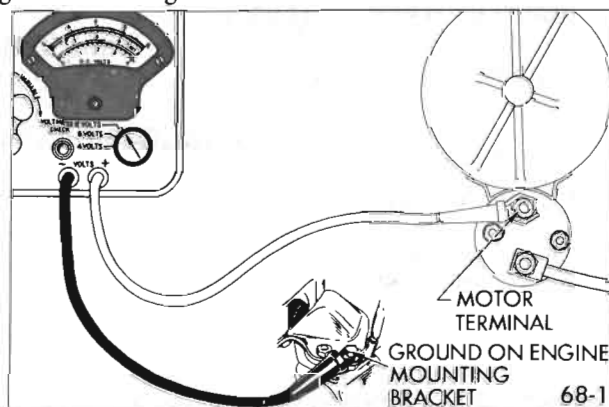


Figure 68-1--Cranking Voltage Test Connections

4. Turn ignition switch on, crank engine and take voltmeter reading as quickly as possible. If cranking motor turns engine at normal cranking speed with voltmeter reading 9 or more volts, the motor and switch are satisfactory. If cranking speed is below normal and voltmeter reading is 9 volts or greater, the cranking motor is defective.

CAUTION: Do not operate cranking motor more than 30 seconds at a time without pausing to allow motor to cool for at least two minutes; otherwise, overheating and damage to motor may result.

5. If cranking motor turns engine at low rate of speed with voltmeter reading less than 9 volts, test solenoid switch contacts as follows:

6. With voltmeter switch turned to any scale above 12 volts, connect voltmeter negative lead to the motor terminal of solenoid switch, and connect positive lead to battery terminal of switch. See Figure 68- 2.

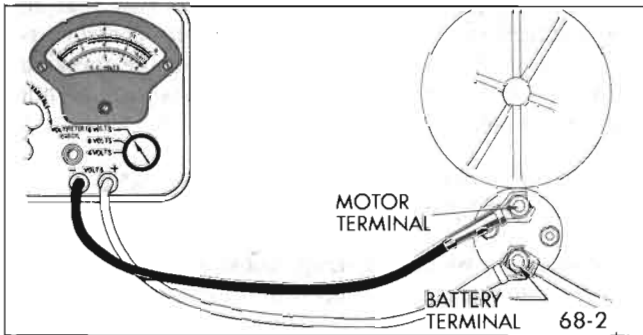


Figure 68-2--Solenoid Switch Contact Test Connections

7. Turn ignition switch on and crank engine. Immediately turn voltmeter switch to low scale and take reading as quickly as possible, then turn switch back to higher scale and stop engine.

The voltmeter will read not more than 2/10 volt if switch contacts are satisfactory. If voltmeter reads more than 2/10 volt, switch should be repaired or replaced.

68-4 AMPERAGE TEST OF SOLENOID

a. Testing Solenoid Switch Windings

- (1) Current draw of both windings in parallel.
- (2) Current draw of hold-in winding alone.

1. Remove screw from solenoid motor terminal and bend field leads slightly until clear of terminal. Then ground solenoid motor terminal with a heavy jumper wire. See Figure 68-3.

2. Connect a 12-volt battery, a variable resistance, and an ammeter of 100 amperes capacity in series with solenoid

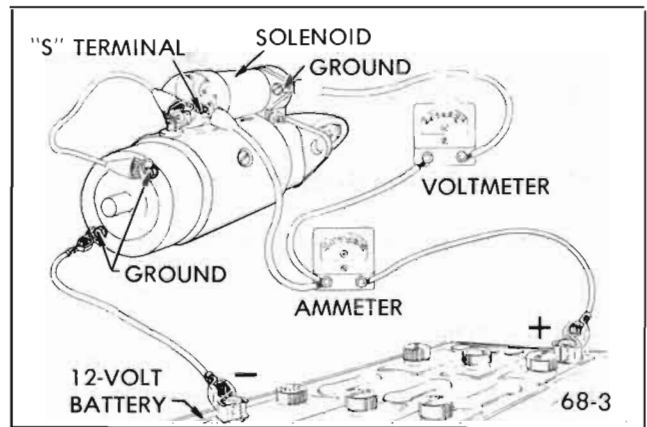


Figure 68-3--Amperage Test of Solenoid

"S" terminal. Connect a heavy jumper wire from solenoid base to ground post of battery.

3. Connect a voltmeter between base of solenoid and small solenoid "S" terminal.

4. Slowly adjust resistance until voltmeter reads 10 volts and note ammeter reading. This shows current draw of both windings in parallel. See paragraph 68- 12 for specifications on the starter being tested.

5. Remove jumper wire from solenoid motor terminal and readjust resistance until voltmeter reads 10 volts, then note ammeter reading. This shows current draw of hold-in winding alone. See paragraph 68-12 for specifications.

6. If solenoid windings do not test within specifications given, solenoid switch assembly should be replaced.

68-5 CHECKING PINION CLEARANCE

Whenever the cranking motor is disassembled and reassembled, the pinion clearance should be checked. This is to make sure that proper clearance exists between the pinion and pinion stop retainer when pinion is in cranking position. Lack of clearance would prevent solenoid starter switch from closing properly; too much clearance would cause improper pinion engagement in ring gear.

1. Connect a source of approximately 6 volts (3 battery cells or a 6 volt battery) between the solenoid "S" terminal and ground.

CAUTION: Do not use more than 6 volts or the motor will operate. As a further precaution to prevent motoring, connect a heavy jumper wire from the solenoid motor terminal to ground.

2. After energizing the solenoid, push the pinion away from the stop retainer as far as possible and use feeler gauge to check clearance between pinion and retainer. See Figure 68-4.

3. If clearance is not between .010" and .140", it indicates excessive wear of solenoid linkage, shift lever mechanism, or improper assembly of these parts.

NOTE: Pinion clearance cannot be adjusted. If clearance is not correct, motor must be disassembled and checked for the above mentioned defects. Any defective parts must be replaced.

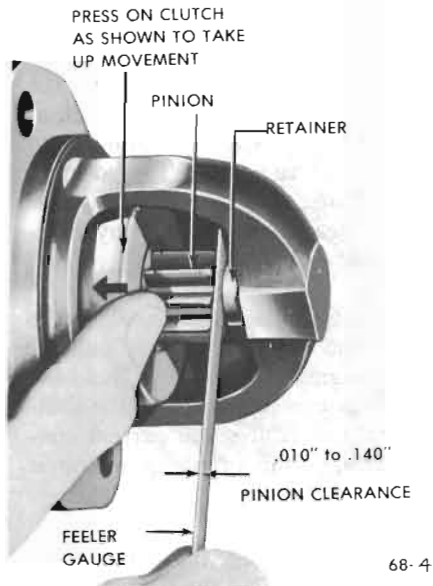


Figure 68-4--Checking Pinion Clearance

68-6 BENCH TEST OF STARTING MOTOR

To obtain full performance data on a cranking motor, or to determine the cause of abnormal operation, the motor should be removed from the engine and be submitted to a no-load test with equipment designed for such tests. A high current carrying variable resistance should be connected into the circuit so that the specified voltage at the cranking motor may be obtained, since a small variation in the voltage will produce a marked difference in the current draw. Test specifications are given in paragraph 68-12.

(a) *No-load Test.* Connect the cranking motor in series with a 12-volt battery and an ammeter capable of indicating several hundred amperes. If an RPM indicator is available, set it up to read armature RPM. Check current draw and armature RPM at the specified voltage.

1. *Low no-load speed and high current draw may result from:*

- (a) Tight, dirty, or worn bearings, bent armature shaft or loose field pole screws which would allow the armature to drag.
- (b) Shorted armature. Check armature further on growler.
- (c) A grounded armature or field.

Check for grounds by raising the grounded brushes and insulating them from the commutator with cardboard. If the cranking motor has shunt field coils which are grounded to the field frame (see Figure 68-9 or 10), dis-

connect these fields from ground. Then check with a test lamp between the insulated terminal and the frame. If lamp lights, raise other brushes from commutator and check fields separately to determine whether it is the fields or armature that is grounded.

2. *Failure to operate with high current draw may result from:*

- (a) A direct ground in the terminal or fields.
- (b) Frozen shaft bearings which prevent the armature from turning.

3. *Failure to operate with no current draw may result from:*

(a) Open field circuit. Inspect internal connections and trace circuits with test lamp.

(b) Open armature coils. Inspect the commutator for badly burned bars.

(c) Broken or weakened brush springs, worn brushes, high mica on the commutator, or other causes which would prevent good contact between the brushes and commutator. Any of these conditions will cause burned commutator bars.

4. *Low no-load speed with low current draw indicates:*

(a) An open field winding. Raise and insulate ungrounded brushes from commutator and check fields with test lamp.

(b) High internal resistance due to poor connections, defective leads, dirty commutator and causes listed, under item 3 (c).

5. *High no-load speed with high current draw indicates* shorted fields. There is no easy way to detect shorted fields, since the field resistance is already low. If shorted fields are suspected, replace the fields and check for improvement in performance.

DIVISION II

DESCRIPTION AND OPERATION

68-7 DESCRIPTION OF STARTING SYSTEM

In the Buick cranking system, the engine is cranked by turning the ignition switch to the extreme clockwise position. The Start position is spring loaded in such a way that the switch returns to the On position when released.

The cranking system, shown schematically in Figure 68-16, is composed of the following units:

1. *Battery* and battery cables (par. 120-4).

68-6 STARTING SYSTEM—ALL SERIES

2. *Cranking motor*, including the drive assembly which engages the flywheel ring gear during cranking operation (paragraph 68-9).

2. *Cranking motor solenoid switch*, mounted on the cranking motor, for shifting the drive assembly and closing the motor circuit (paragraph 68-9).

4. *Ignition switch*, which when in the Start position connects a lead from the battery to the solenoid switch, passing through the neutral start switch on the way. During cranking, the ignition switch also connects the battery directly to the ignition coil, thereby by-passing the resistance wire which normally supplies the ignition coil at a lower voltage.

5. *Neutral start switch* (automatic transmission cars only). This switch is connected between the ignition switch and the solenoid switch to prevent cranking of the engine except when the transmission control lever is in either neutral or park position.

6. *Clutch start switch* (manual transmission cars only). This switch is connected in series between the ignition switch and the starter solenoid switch to prevent cranking of the engine except when the clutch pedal is depressed.

68-8 OPERATION OF STARTING SYSTEM

When the ignition switch is turned fully clockwise to the Start position, a connection is made from the battery terminal to the ignition switch to the solenoid terminal of the switch. From here a large wire carries the current to a

terminal on the solenoid switch of the cranking motor. A neutral start switch is located in series in this wire. The transmission control lever must be in neutral or park position so that the neutral start switch is also closed.

Closing of the ignition Start switch and the neutral start switch permits battery current to flow through the "pull-in" and "hold-in" coils of the solenoid magnetizing the solenoid. The plunger is pulled into the solenoid so that it operates the shift lever to move the drive pinion into engagement with the flywheel ring gear. The solenoid switch contacts then close after the drive pinion is partially engaged with the ring gear. This prevents any possible gear clash. See Figure 68-5 or 6.

The closing of the solenoid switch contacts causes the motor to crank the engine and also cuts out the "pull-in" coil of the solenoid, the magnetic pull of the "hold-in" being sufficient to hold the pinion in mesh after the shifting has been performed. This reduces the current consumed by the solenoid while the cranking motor is operating. See Figure 68-5 or 6.

As soon as the engine starts running, the overrunning clutch starts free-wheeling. This allows the starter pinion to be driven by the flywheel ring gear without causing the armature speed to increase greatly. (Because of the large ratio between the pinion and the ring gear, a seized overrunning clutch will cause the armature to be driven at an excessive speed which may cause the armature windings to be thrown). As soon as the driver realizes that the engine has started, he releases the ignition key and a spring in the ignition switch returns it to the On position. This breaks the solenoid circuit so that the solenoid is

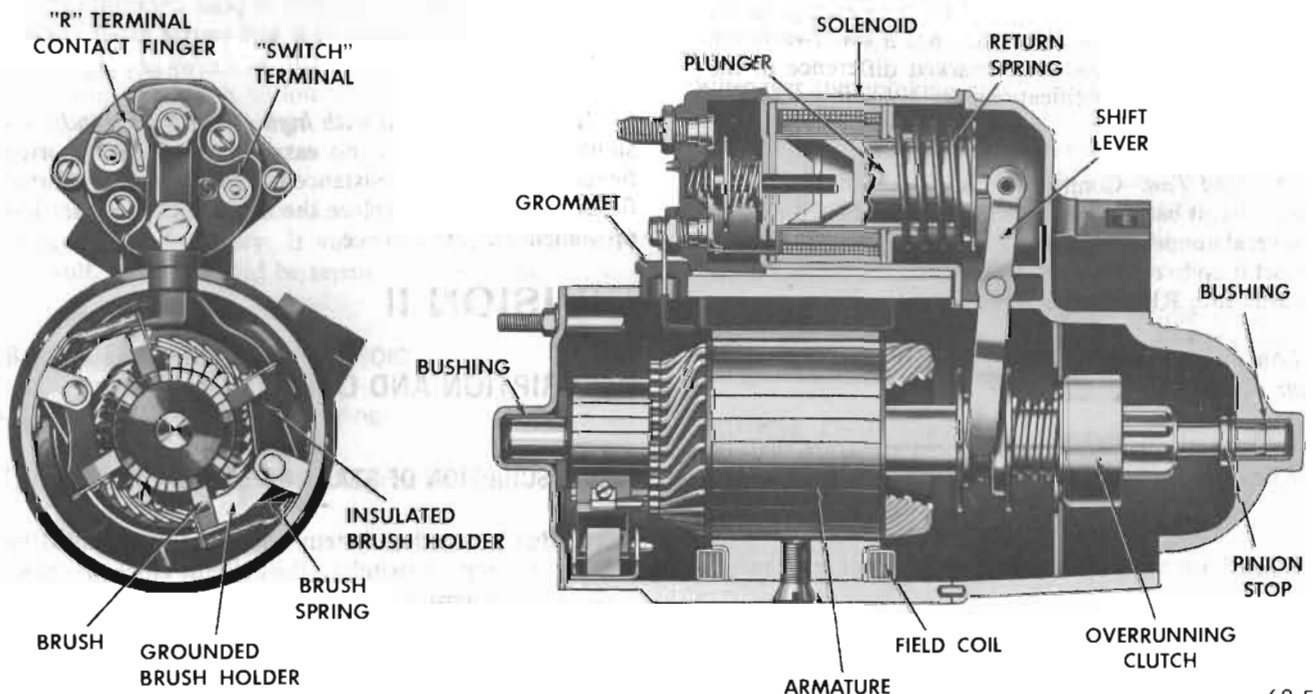


Figure 68-5 - Starting Motor - 250 and 350 Engines

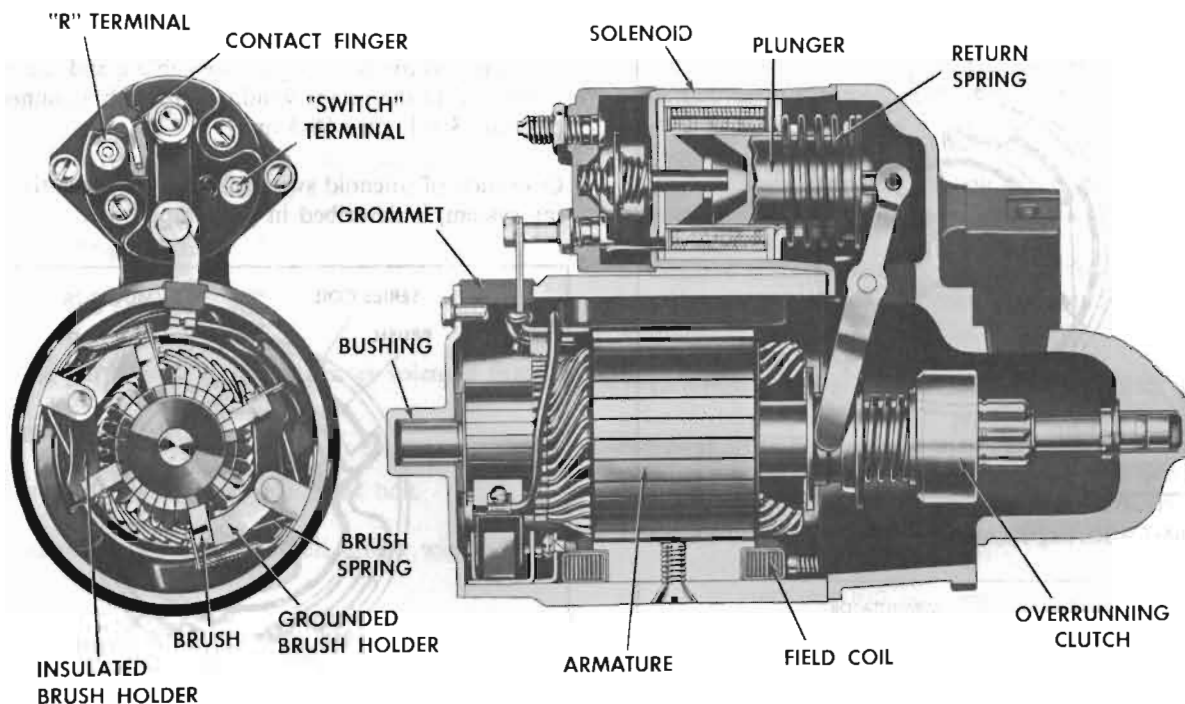


Figure 68-6 - Starting Motor - 455 Engines

demagnetized. A return spring then actuates the shift lever to retract the solenoid plunger, which permits another spring to open the solenoid switch contacts. The shift lever then disengages the drive pinion from the flywheel ring gear. After the transmission is shifted out of park or neutral, the neutral start switch will prevent accidental engagement of the drive pinion with the flywheel.

68-9 STARTING MOTOR AND SOLENOID SWITCH

The cranking motor assembly consists of a motor, drive assembly, shift lever, and solenoid switch. See Figure 68-5 or 6.

a. Cranking Motor, Drive and Shift Lever

The cranking motor is an enclosed shift lever type, having an extruded frame, four poles and a compound field. The drive end housing is extended to enclose the entire shift lever mechanism and plunger to protect them from road dirt, icing conditions, and splash. The solenoid is flange mounted onto the drive end housing and is sealed to the drive housing by a sealing compound. The shift lever return spring is a compression type and is located inside the solenoid case.

The armature shaft is supported at both ends in graphite bronze bushings pressed into the commutator end frame and the drive housing. Neither of these bearings require lubrication except during assembly. See Figure 68-5 or 6.

The four brushes are supported by brush holders mounted on the field frame. Two opposing brushes are connected

to the field coils. The field coils are held in place by the pole shoes which are attached to the field by large screws. The field coils are connected to an insulated connecting link in the field frame, through which current is supplied to the motor.

The drive assembly is mounted on the motor armature shaft and keyed to it by helical splines so that it can be moved endwise on the shaft by the solenoid operated shift lever. It transmits cranking torque to the flywheel ring gear, but its overrunning clutch allows the drive pinion to rotate freely with reference to the armature shaft when the engine begins to operate, thus preventing the armature from being driven at excessive speed by the engine.

The drive assembly pinion is moved into engagement with flywheel ring gear by action of the solenoid upon the shift lever, which engages the shift collar of drive assembly. The shift collar moves the drive assembly by pushing on the clutch spring, which serves as a cushion in case the pinion and gear teeth butt instead of meshing. The helical splines assist in obtaining proper pinion engagement. The drive pinion is pulled out of engagement, after engine starts, by action of the shift lever return spring. The shift lever is connected to the solenoid switch plunger by a roll pin. See Figure 68-5 or 6.

The cranking motor in the L-6 engine has four field coils connected in series between the terminal and the insulated brushes. See Figure 68-7.

The cranking motor in the 350 engine has three field coils connected in series between the terminal and the insulated brushes, and one shunt field coil connected to ground. See Figure 68-8.

68-8 STARTING SYSTEM—ALL SERIES

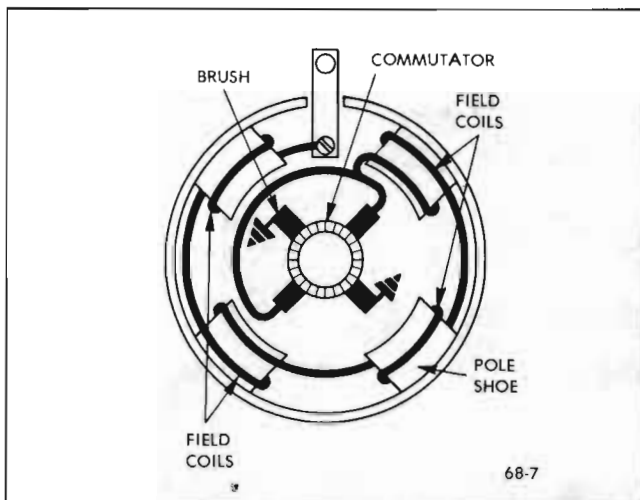


Figure 68-7 - Starting Motor Internal Circuits - 250 Engine

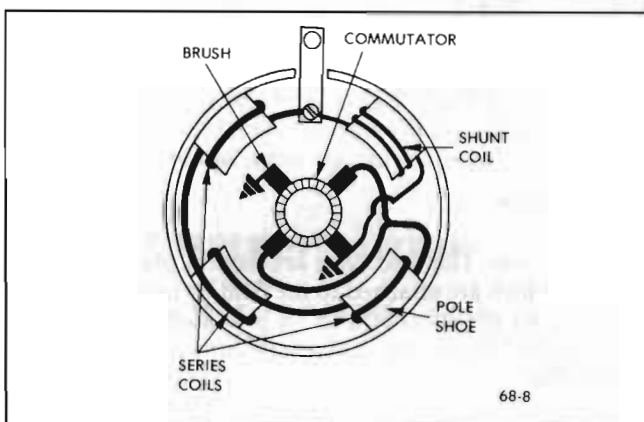


Figure 68-8 - Starting Motor Internal Circuits - 350 Engine

The large V-8 cranking motor has two parallel field coils connected to the insulated brushes, and two shunt field coils connected to ground. The purpose of this design is to increase starting torque. Heavier field and armature windings help accomplish this. The additional shunt field is required to control free speed of the motor. See Figure 68-9.

b. Solenoid Switch

The solenoid switch not only closes the circuit between the battery and the cranking motor to produce cranking action, but it also operates the shift lever to move the drive pinion into engagement with the flywheel ring gear.

The solenoid section of the switch has a plunger and two windings, the "pull-in" winding and the "hold-in" winding. Together, they provide sufficient magnetic attraction to pull the solenoid plunger into the solenoid. The plunger actuates the shift lever and drive assembly and it also closes the solenoid switch contacts by pressing against a push rod upon which a contact disc is mounted between two coil springs. One spring serves as a cushion to insure firm contact of the disc with two stationary contacts. The other spring pushes the disc away from the stationary

contacts to break the circuit when the solenoid is demagnetized after the engine starts. One stationary contact is connected to the battery positive cable and the other is connected to the motor windings through a connector or bus bar. See Figure 68-5 or 6.

Operation of solenoid switch, as well as the entire cranking system, is described in paragraph 68-9.

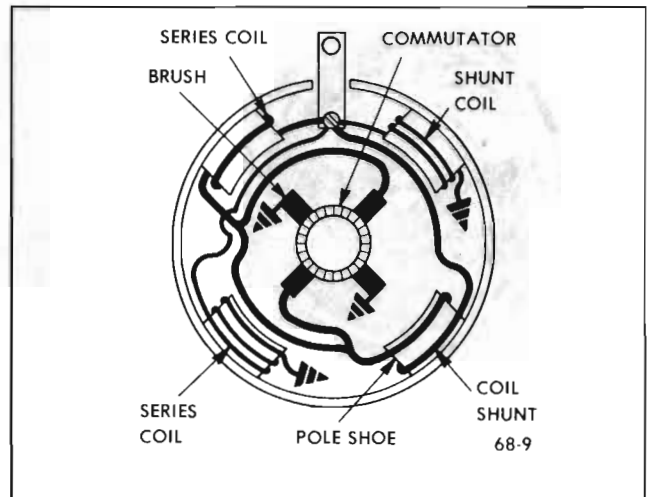


Figure 68-9 - Starting Motor Internal Circuits - 455 Engines

DIVISION IV

REMOVAL AND INSTALLATION

68-10 STARTER R and R

a. Removal (V-8 Engines)

1. Disconnect battery.
2. Raise on hoist.
3. Remove four (4) screws securing flywheel inspection cover, using a 3/8" socket.
4. Disconnect the three (3) electrical wires from the starter solenoid, using a 3/8" socket for the two (2) small terminals and a 9/16" socket for the large nut on the battery terminal.
5. Remove one (1) bolt from starter bracket to engine block, using a 1/2" socket; after this bolt is removed, use a 9/16" socket to remove the two (2) rear starter bolts.

NOTE: On 43-44000 Series cars, the starter bracket to block bolt is hidden and must be broken loose with a short 1/2" open-end wrench. It is necessary to restart this bolt with your fingers and then retighten with the same wrench used in removal.

b. Removal (L-6 Engines)

1. Disconnect battery ground cable at battery terminal post.
2. Disconnect battery positive cable and wiring harness leads from starting motor solenoid.

3. Remove starting motor.

c. Installation (V-8 Engines)

1. Fasten the purple wire onto the starter solenoid first.
2. Install two (2) rear starter bolts.
3. Install starter bracket to engine block bolt.
4. Secure battery cable and the small yellow wire to the solenoid.
5. Reinstall the flywheel inspection cover.
6. Lower car and connect battery cable.

d. Installation (L-6 Engines)

1. Install starting motor.
2. Connect battery positive cable and wiring harness leads to starting motor solenoid.
3. Connect battery ground cable at battery terminal post.

DIVISION V

OVERHAUL AND MAJOR SERVICE

68-11 STARTING MOTOR REPAIRS—ON BENCH

a. Disassembly, Cleaning and Inspection

When it is necessary to disassemble cranking motor for any reason, make a complete clean-up and inspection to make sure all parts are in satisfactory condition.

1. Remove field lead connecting screw from motor terminal of solenoid.
2. Remove two thru bolts and remove commutator end frame and field frame assembly.
3. Pull out brush holder pivot pin and remove the two brush holders and the spring as a group. Remove screws attaching brushes and leads to holders.
4. Remove two screws holding solenoid to drive housing and remove solenoid. Remove small nut and insulating

washer from the solenoid "S" terminal. Remove large nut and insulating washer from the solenoid motor terminal. See Figure 68-5 or 6. Then, remove two screws that attach switch cover to solenoid and remove cover for inspection of switch parts.

5. Remove shift lever fulcrum bolt and remove shift lever, plunger and return spring.

6. Remove armature and drive assembly from drive housing. Remove thrust collar from pinion end of armature shaft.

7. To remove drive assembly from armature, place a metal cylinder of proper size (1/2" pipe coupling will do) over end of shaft to bear against the pinion stop retainer. Tap retainer toward armature to uncover snap ring. See Figure 68-10. Remove snap ring from groove in shaft, then slide retainer and pinion drive assembly from shaft.

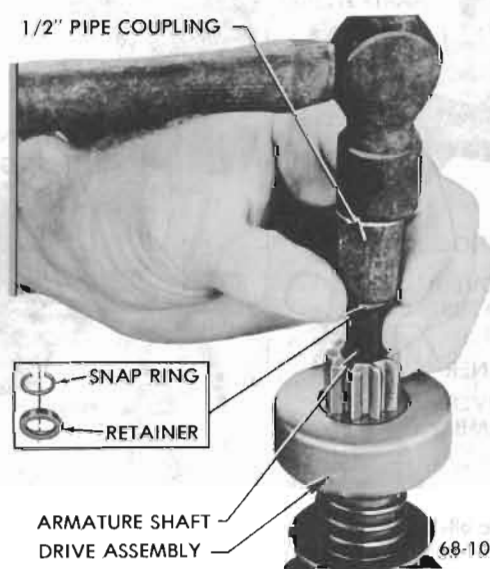


Figure 68-10 Removing Pinion Stop Retainer and Snap Ring

8. Clean all parts by wiping with clean cloths. The armature, field coils, and drive assembly must not be cleaned by any degreasing or high temperature method. This might damage insulation so that a short or ground would subsequently develop, and will remove lubricant originally packed in the overrunning clutch so that clutch would soon be ruined.

9. Carefully inspect all parts for wear or damage and make necessary repairs to replace unserviceable parts. Any soldering must be done with rosin flux; *never use acid flux on electrical connections.*

10. Test armature and make necessary repairs or turn commutator if required.

b. Assembly of Cranking Motor

1. Lubricate shift lever linkage and install in drive housing.

68-10 STARTING SYSTEM—ALL SERIES

CAUTION: *Never lubricate solenoid plunger or plunger cylinder.*

2. Assemble solenoid by reversing the disassembly procedure. Install return spring. Apply sealing compound on both sides of solenoid flange where it extends between drive housing and field frame. Then install solenoid.

3. Lubricate armature shaft. Install drive assembly with pinion outward.

4. Slide pinion stop retainer down over shaft with recessed side outward.

5. Place a new snap ring on drive end of shaft and hold it in place with a hard wood block. Strike block with hammer to force snap ring over end of shaft, then slide the ring down into groove in shaft. See Figure 68-11, View A.

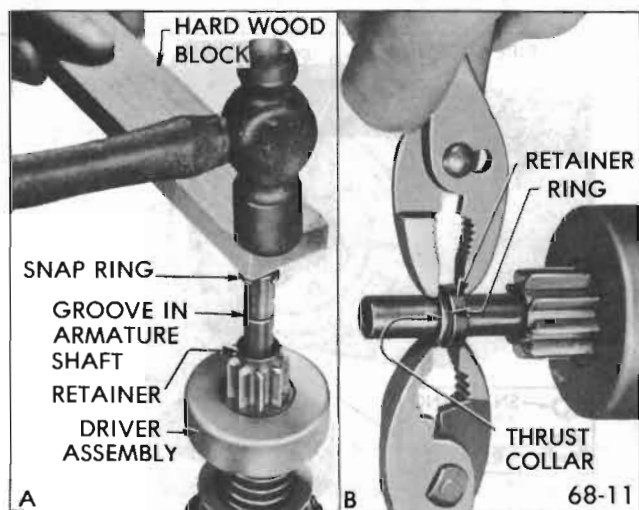


Figure 68-11 - Pinion Stop Retainer and Snap Ring Installation

6. Place thrust collar on shaft with shoulder next to snap ring, and move the retainer into contact with ring. Using pliers on opposite sides of shaft squeeze retainer and thrust collar together until snap ring is forced into the retainer. See Figure 68-11, View B.

7. Lubricate drive housing bushing and install armature and drive assembly in housing.

8. Continue with assembly of cranking motor by reversing disassembly procedure. If field coils were removed from field frame use care in tightening the pole shoe screws to avoid distortion of parts and make sure that screws are securely tightened.

9. Position field frame assembly over armature assembly so that dowel pin engages hole in drive housing. Use care to prevent damage to brushes and brush holders. Make sure that brushes are properly seated in commutator.

10. Lubricate bushing in commutator end frame and install end frame.

11. Install thru bolts and tighten securely. Connect field leads to motor terminal of solenoid with connecting screw.

12. Test solenoid switch and check pinion clearance as described in paragraph 68-4 and 5. If a reliable starter tester is available, test motor as described in paragraph 68-11.

Division VI Specifications

68-12 STARTING SYSTEM SPECIFICATIONS

a. Starting Motor

	250 Eng.	350 Eng.	455 Eng.
Make	Delco-Remy	Delco-Remy	Delco-Remy
Number	1108365	1108391	1108392
Location Side of Engine	Right	Right	Right
Type of Shift	Mechanical	Mechanical	Mechanical
Shift Actuation	Solenoid	Solenoid	Solenoid
Shift Operation	Ignition Switch	Ignition Switch	Ignition Switch
Type of Drive	Overrunning Clutch	Overrunning Clutch	Overrunning Clutch
Rotation, Viewing Drive End	Clockwise	Clockwise	Clockwise
Gear Ratio, Motor to Engine	17.8 to 1	17.8 to 1	18.4 to 1
No. Teeth on Ring Gear and Drive Pinion	160,9	160,9	166,9

Cranking Speed, Engine RPM

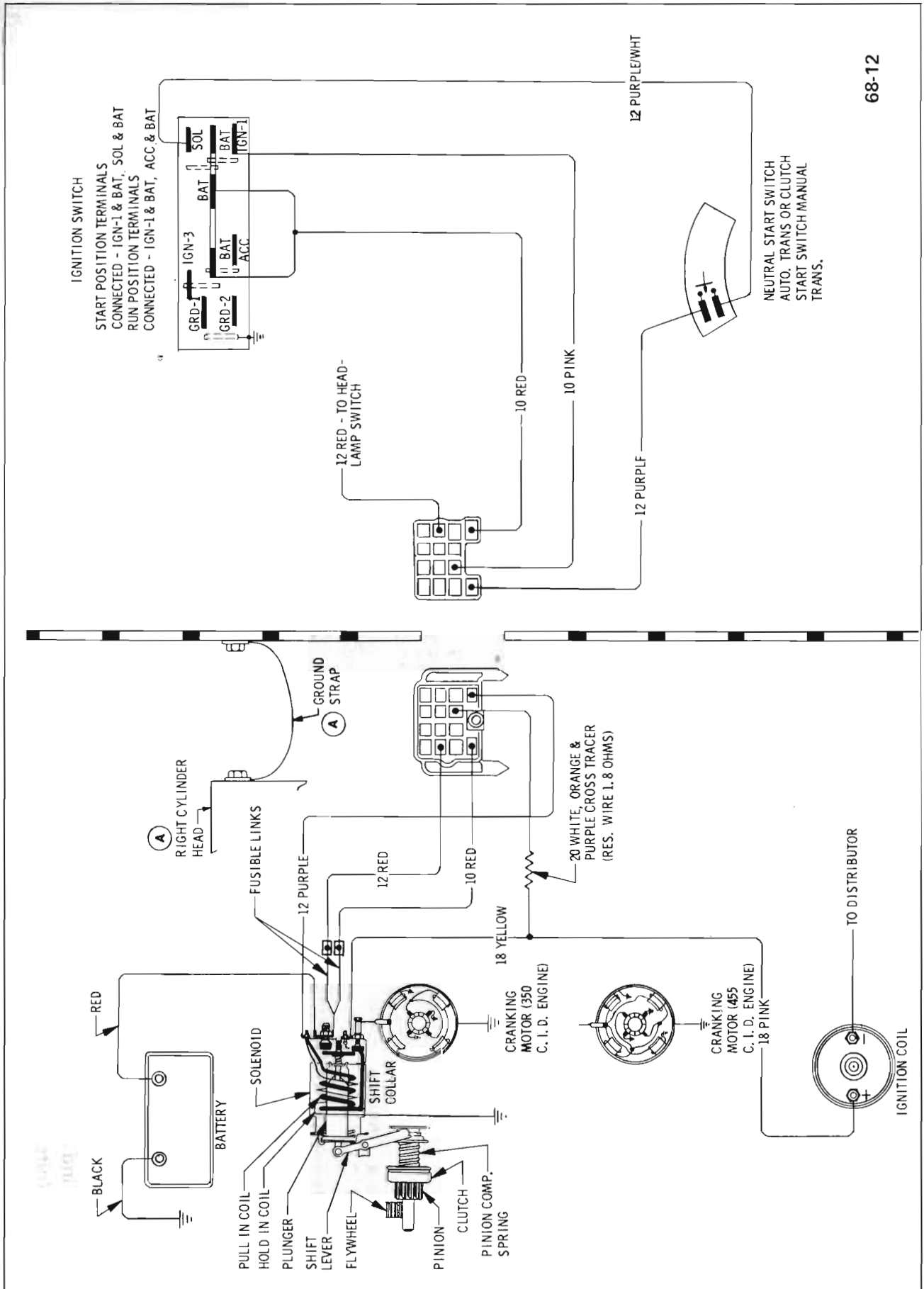
(Normal Temp.) 160 Approx. 160 Approx. 160 Approx.

No Load Test

Amperes	50 to 80	80	45 to 80
Volts	9	9	9
RPM	5,500 to 10,500	3,500 to 6,000	4,000 to 6,500
Brush Spring Tension—Ounces	35 min.	35 min.	35 min.
Armature End Play005" to .050"	.005" to .050"	.005" to .050"
Pinion Clearance in Cranking Position010" to .140"	.010" to .140"	.010" to .140"

b. Solenoid Switch

	250 Eng.	350 Eng.	455 Eng.
Make	Delco-Remy	Delco-Remy	Delco-Remy
Solenoid Switch Number	1114356	114356	1114356
Current Draw of Solenoid Windings at 80°F Hold-in Winding, Amps. at 10 Volts	14.5 to 16.5	14.5 to 16.5	14.5 to 16.5
Both Windings in Parallel, Amps, at 10 Volts	41 to 47	41 to 47	41 to 47
Pull-in Windings, Amps. at 5 Volts	13 - 15.5	13 - 15.5	13 - 15.5



68-12

- Figure 68-12 - Ignition and Starter Wiring

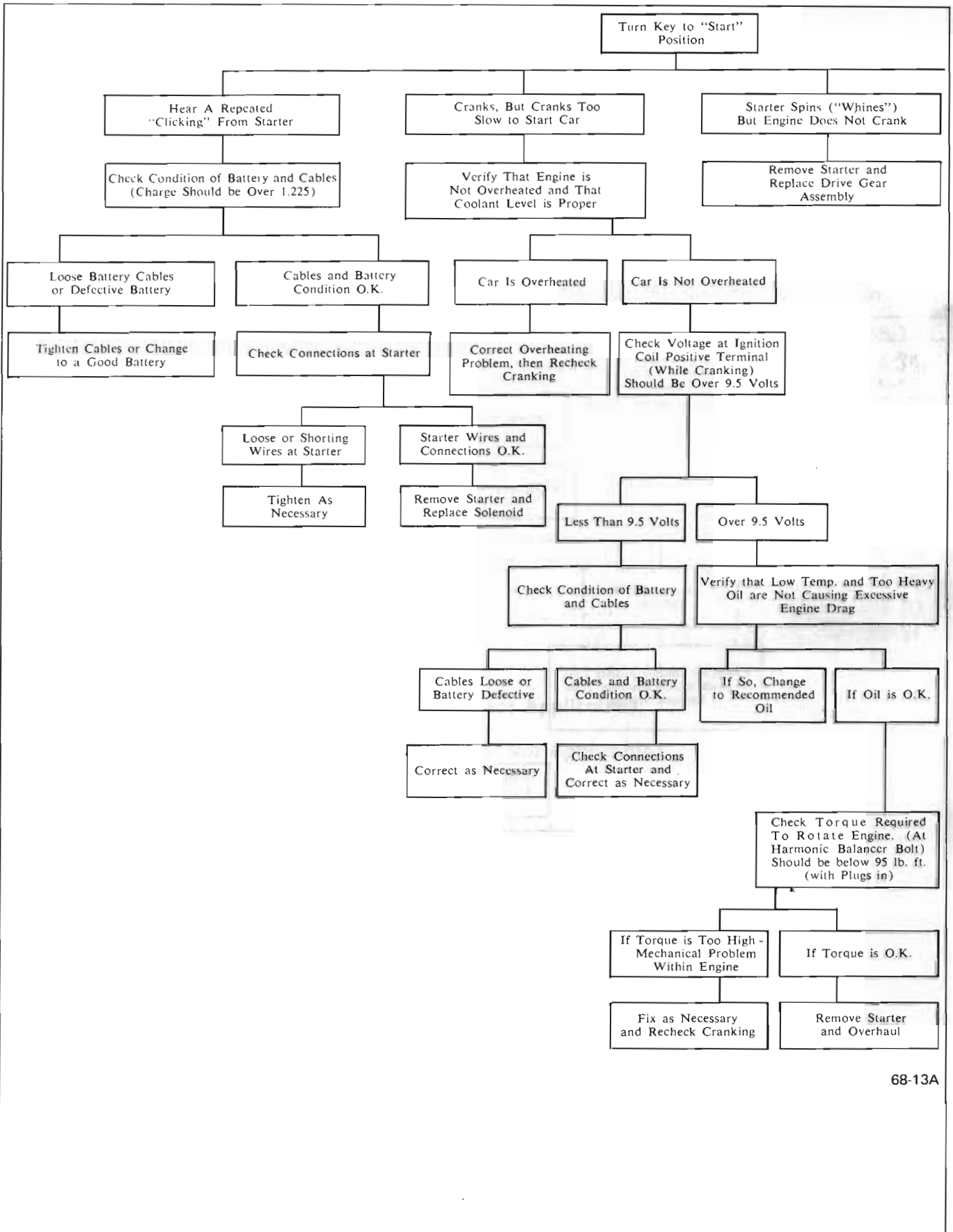


Figure 68-13A Starting Motor Trouble Chart

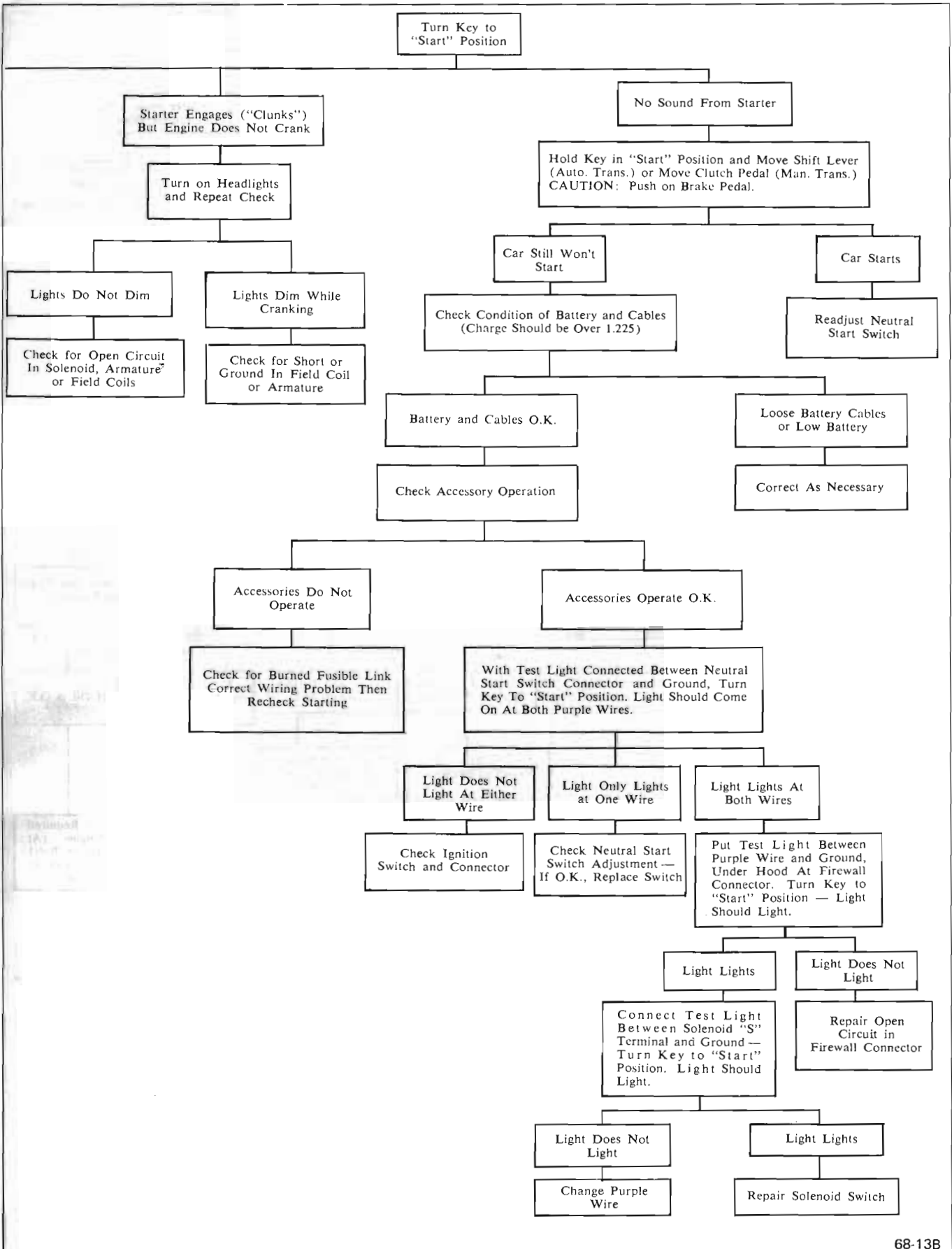


Figure 68-13B Starting Motor Trouble Chart